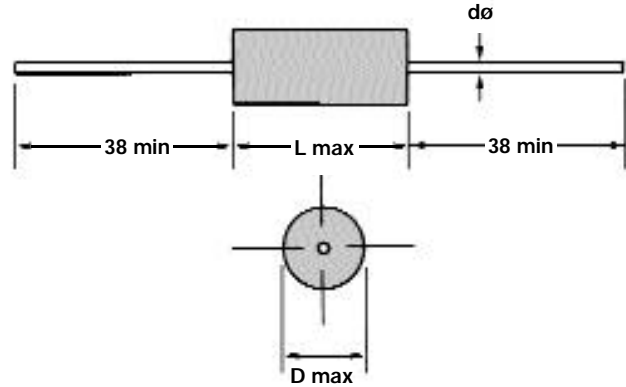


Polyester Film Capacitors



PET

PET are non-inductively wound with Polyester film dielectric and aluminum foil electrode with copper-clad steel leads and outer wrapping of Polyester film with the ends sealed by epoxy resin. They are suitable for use in timing, delay and oscillator circuits and ideal for applications in telecommunication, signal coupling and decoupling instruments.



Features:

- High reliability
- Excellent electrical characteristics.
- Miniature size and light weight.

Specifications:

- Operating Temperature: $-40^{\circ}\text{C} \sim +85^{\circ}\text{C}$
- Capacitance Range: $.001\mu\text{F} \sim .1\mu\text{F}$
- Capacitance Tolerance: J ($\pm 5\%$), K ($\pm 10\%$), M ($\pm 20\%$)
- Rated Voltage: 100 VDC, 250 VDC, 400 VDC, 630 VDC
- Dissipation Factor: 0.8%Max at 1 KHz, 25°C
- Insulation Resistance: 10000 M

Unit: mm

CAP Code	R.V. CAP μF Size	100VDC			250VDC			400VDC			630VDC		
		D	L	dø	D	L	dø	D	L	dø	D	L	dø
102	.001	5	14	0.6	5	14	0.6	5	14	0.6	5.5	14	0.6
152	.0015	5	14	0.6	5	14	0.6	5	14	0.6	5.5	14	0.6
222	.0022	5	14	0.6	5	14	0.6	5	14	0.6	6	16	0.6
332	.0033	5	14	0.6	5	14	0.6	6	14	0.6	7	16	0.6
472	.0047	5	14	0.6	5	14	0.6	6	14	0.6	7	21	0.6
682	.0068	5	14	0.6	5	14	0.6	6.5	16	0.6	7	21	0.6
103	.01	5	14	0.6	5	14	0.6	7.5	16	0.6	7.5	21	0.6
153	.015	6	14	0.6	6.5	16	0.6	7.5	21	0.6	7.5	27	0.6
223	.022	6	14	0.6	7	16	0.6	8	21	0.6	9	27	0.8
333	.033	6.5	14	0.6	7	21	0.6	8	27	0.6	10	27	0.8
473	.047	6.5	16	0.6	8	21	0.6	9	27	0.8	10	33	0.8
683	.068	7.5	16	0.6	9	21	0.8	9	33	0.8	11.5	33	0.8
104	.1	8	16	0.6	9	27	0.8	11	33	0.8	13.5	33	0.8